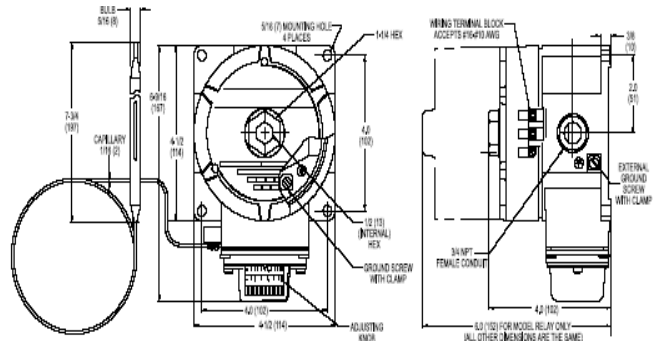


DREXAN™ HeatTracer

STAT-TXR-ADJ



The STAT-TXR-ADJ thermostat is ideal for applications where freeze protection or temperature control in hazardous locations is critical. This thermostat can be used in ambient-sensing applications by placing the sensor in the air or as a line-sensing thermostat by securing the bulb to the pipe or tank. The STAT-TXR-ADJ can be used as a single circuit control or as a pilot control for several circuits by switching a contactor.

Specifications

Enclosure Rating	NEMA 4X, 7, 9 & IP65
Entries	One 3/4 inch NPT conduit hub
Set point	25 to 325 deg. F (-4 to 163C) External adjustment knob
Sensor exposure limits	- 40 to 420 degrees F (-40 to 216C)
Housing exposure limit	-40 to 420 degrees F (-40 to 216C)
Enclosure material	Anodized, silver painted aluminum
Switch	SPDT, pre-wired snap action
Electrical rating	22 amp @ 125/250/480 VAC
Accuracy	+ 6 deg. F (+ 2.9 C)
Sensor & capillary Type	316L stainless steel, Silicone oil filled bulb 73/4" (197mm) 5/16"(8mm) diameter 10' (3.05m) long capillary.
Connection	3 pole terminal block accepts 14-10 AWG wire.
Approvals	FM, UL, CSA – Class I Group B, C & D Class II Group E, F & G ATEX, EEx d IIC, T6
Manufacturer	Barksdale

Right Product, Right Place, Right Price